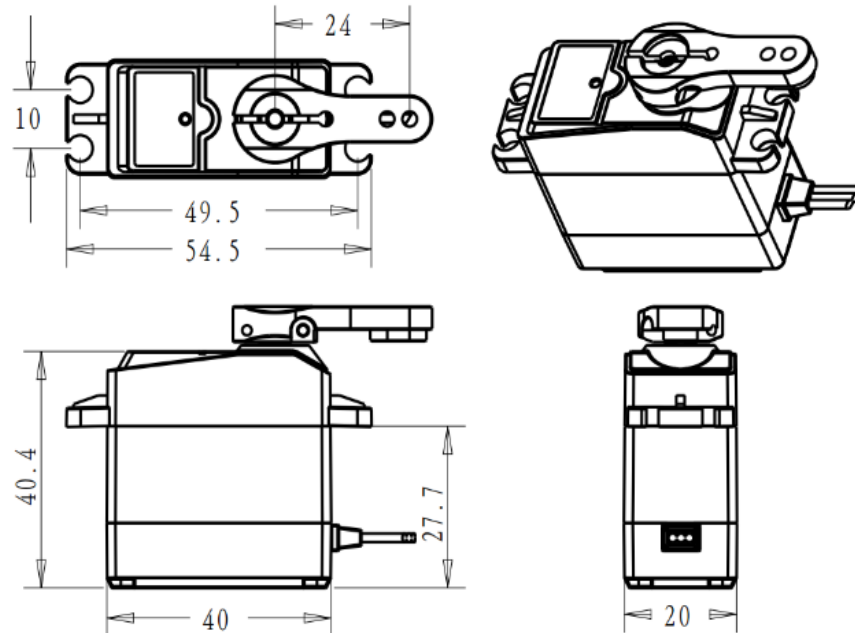


Product name : DS3225

Product description : 6V 25kg RC Digital Servo

Drawing:



1. Apply Environmental Condition

No.	Item	Specification
1-1	Storage Temperature Range	-30°C ~ 80°C
1-2	Operating Temperature Range	-15°C ~ 70°C
1-3	Operating Voltage Range	4.8-6.8 V

2. Mechanical Specification

No.	Item	Specification
2-1	Size	40 x 20 x 40.5 mm
2-2	Weight	60 g
2-3	Gear ratio	275
2-4	Bearing	Double bearing
2-5	Connector wire	300 ± 5mm
2-6	Motor	3-pole(s)
2-7	Waterproof performance	IP66

3. Electrical Specification

No.	Operating Voltage	5V	6.8V
3-1	Idle current (at stopped)	4 mA	5 mA
3-2	Operating speed (at no load)	0.15 sec/60°	0.13 sec/60°
3-3	Stall torque (at locked)	21 kg/cm	24.5 kg/cm
3-4	Stall current (at locked)	1.9 A	2.3 A

4. Control Specification

No.	Item	Specification
4-1	Control System	PWM (Pulse width modification)
4-2	Pulse width range	500 ~ 2500 μ sec
4-3	Neutral position	1500 μ sec
4-4	Running degree	180° or 270° (when 500 ~ 2500 μ sec)
4-5	Dead band width	3 μ sec
4-6	Operating frequency	50 – 330 Hz
4-7	Rotating direction	Counterclockwise(when 500 ~ 2500 μ sec)

5. PWM Control

